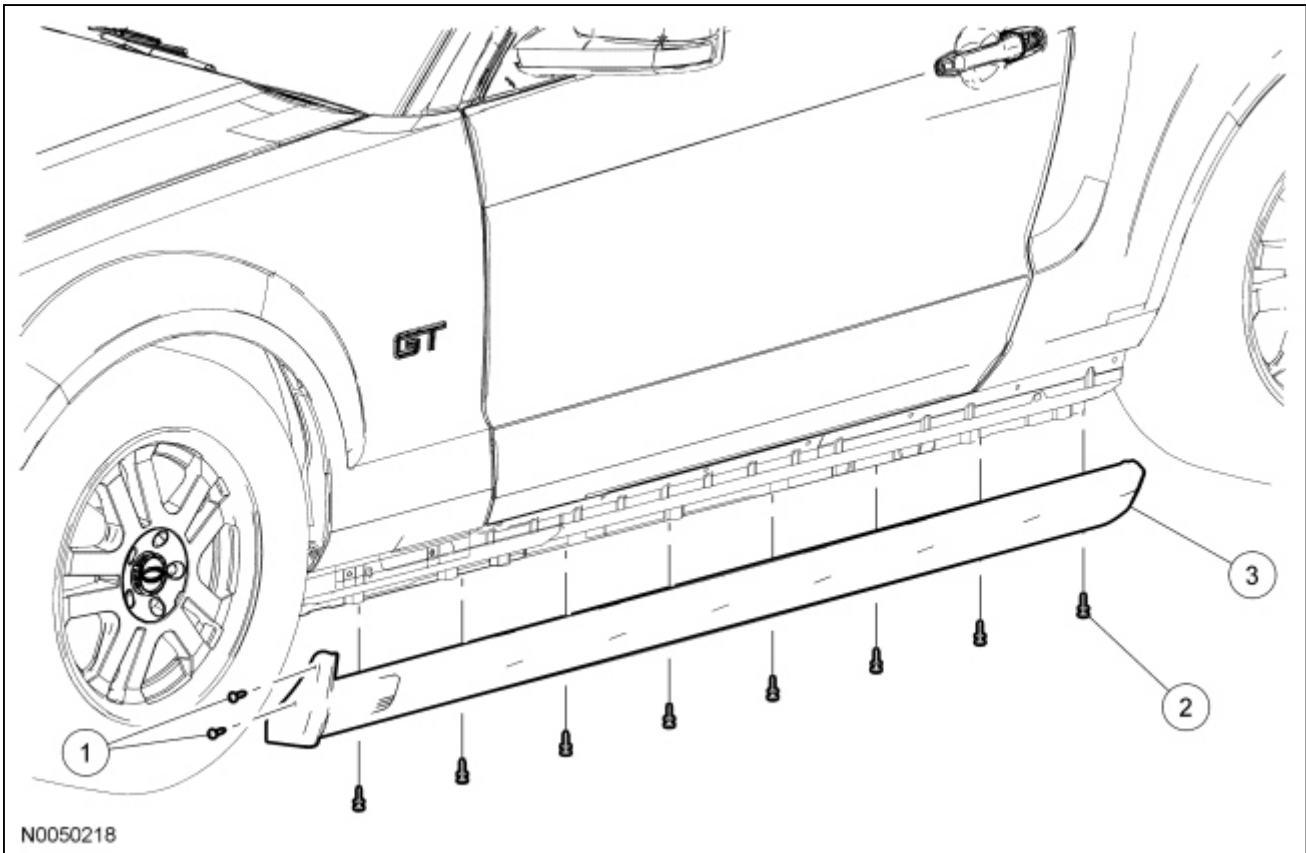


## Rocker Panel Moulding



| Item | Part Number               | Description  |
|------|---------------------------|--|
| 1    | —                         | Front rocker panel-to-fender pin-type retainers (2 required each side) (part of 6310154 RH/ 6310155LH) |
| 2    | 403D24                    | Rocker panel moulding pin-type retainer (8 required each side)   |
| 3    | 6310154 RH/<br>6310155 LH | Rocker panel moulding  |

### Removal and Installation

1. Remove the 2 front rocker panel moulding-to-fender pin-type retainers.
2. Remove and discard the 8 rocker panel pin-type retainers.
3. Using a suitable tool, release the 8 hidden pin-type retainers and remove the rocker panel moulding.
4. To install, reverse the removal procedure.

